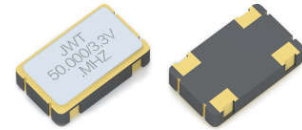


特点 Features

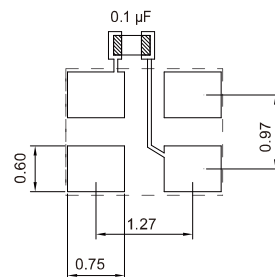
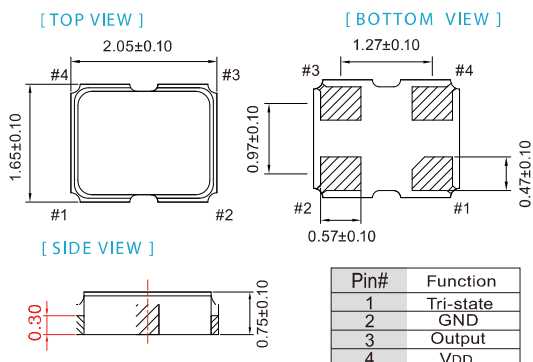
标准的 2.0 X 1.6 X 0.75 mm 陶瓷封装表面贴装形式
 3.3V 2.5V 1.8V 工作电压
 可接受带控制端
 包装：每卷1000/2000/3000PCS
 Typical 2.0 X 1.6 X 0.75 mm ceramic SMD package
 3.3V 2.5V 1.8V Supply Voltage
 Tri-State function available
 Packing: Tape & Reel, 1000/2000/3000 pcs per Reel



标准规格 Electronic Specification

型号 type	OSC 2016			Unit
工作电压 Supply Voltage Variation (VDD)	3.3	2.5	1.8	V
	VDD ± 10%			V
频率范围 Frequency Range	0.032768, 1.5 ~ 50			MHz
工作温度范围 Operating Temp. Range	-20 ~ 70 / -40 ~ 85			°C
频率稳定性 Frequency Stability	± 20 ~ ± 50			ppm
输出负载 Output Load	15			PF
输入电流 Supply Current	15 Max	10 Max	7 Max	mA
上升下降时间 Rise/Fall Time	1.25MHz ~ 19.99MHz			nSec
	4 Max	4 Max	5 Max	
	20MHz ~ 79.99MHz			
	3 Max	3 Max	4 Max	
占空比 Duty Cycle	45 ~ 55			%
启动时间 Start Time	2 Max			mSec
输出水平 Out Level	Output Hight (Logic 1)			V
	90%VDD Min			
	Output Hight (Logic 0)			
	10%VDD Max			
三态输出 Tri-State	Enable (High voltage or floating)			V
	0.7VDD Min			
	Disable (Low voltage or GND)			
	0.3VDD Max			
待机电流 Standby Current	10			μ A
贮存温度 Storage Temperature Range	-55 ~ 125			°C

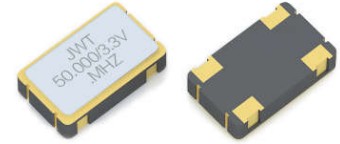
外型尺寸 Outline Dimensions (Unit:mm)



To ensure optimal oscillator performance, place a by-pass capacitor of 0.1μF as close to the part as possible between Vdd and GND pads.

特点 Features

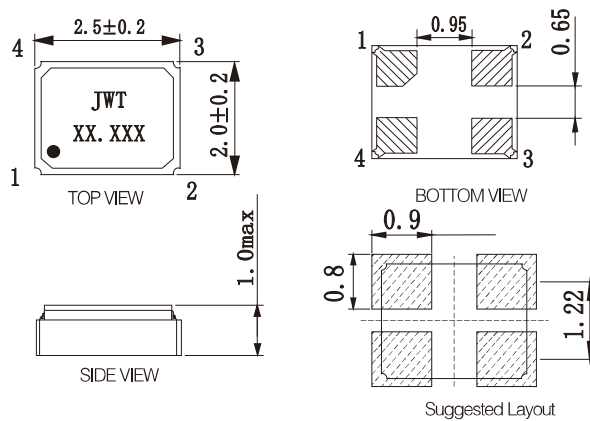
标准的 2.5 X 2.0 X 1.0 mm 陶瓷封装表面贴装形式
 3.3V 2.5V 1.8V工作电压
 可接受带控制端
 包装：每卷1000/2000/3000PCS
 Typical 2.5 X 2.0 X 1.0 mm ceramic SMD package
 3.3V 2.5V 1.8V Supply Voltage
 Tri-State function available
 Packing: Tape & Reel, 1000/2000/3000 pcs per Reel



标准规格 Electronic Specification

型号 type	OSC 2520			Unit	
工作电压 Supply Voltage Variation(VDD)	3.3	2.5	1.8	V	
	VDD ± 10%			V	
频率范围 Frequency Range	0.032768, 1.25 ~ 125			MHz	
工作温度范围 Operating Temp. Range	-20 ~ 70 / -40 ~ 85			°C	
频率稳定性 Frequency Stability	± 20 ~ ± 50			ppm	
输出负载 Output Load	15			PF	
输入电流 Supply Current					
	32.768KHz	70 Max	66 Max	63 Max	μ A
1.25MHz ~ 125MHz	15 Max	10 Max	7 Max	mA	
上升下降时间 Rise/Fall Time					
	32.768KHz	50 Max	50 Max	50 Max	nSec
	1.25MHz ~ 19.99MHz	4 Max	4 Max	5 Max	
	20MHz ~ 79.99MHz	3 Max	3 Max	4 Max	
80MHz ~ 125MHz	3 Max	3 Max	4 Max		
占空比 Duty Cycle	45 ~ 55			%	
启动时间 Start Time	2 Max			mSec	
输出水平 Out Level					
	Output Hight (Logic 1)	90%VDD Min		V	
Output Hight (Logic 0)	10%VDD Max				
三态输出 Tri-State					
	Enable (High voltage or floating)	0.7VDD Min		V	
Disable (Low voltage or GND)	0.3VDD Max				
待机电流 Standby Current	10			μ A	
贮存温度 Storage Temperature Range	-55 ~ 125			°C	

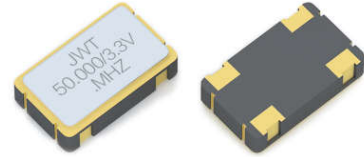
外型尺寸 Outline Dimensions (Unit:mm)



PIN	Function
#1	Tri-State
#2	GND
#3	Output
#4	VDD

特点 Features

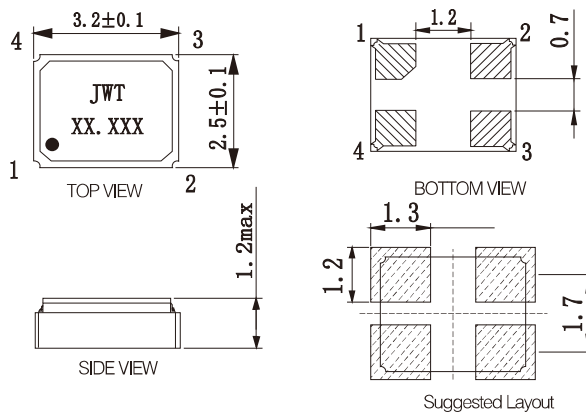
标准的 3.2 X 2.5 X 1.2 mm 陶瓷封装表面贴装形式
 3.3V 2.5V 1.8V工作电压
 可接受带控制端
 包装：每卷1000/2000/3000PCS
 Typical 3.2 X 2.5 X 1.2 mm ceramic SMD package
 3.3V 2.5V 1.8V Supply Voltage
 Tri-State function available
 Packing: Tape & Reel, 1000/2000/3000 pcs per Reel



标准规格 Electronic Specification

型号 type	OSC 3225			Unit	
工作电压 Supply Voltage Variation(VDD)	3.3	2.5	1.8	V	
	VDD ± 10%			V	
频率范围 Frequency Range	0.032768, 1.25 ~ 125			MHz	
工作温度范围 Operating Temp.Range	-20 ~ 70 / -40 ~ 85			°C	
频率稳定性 Frequency Stability	± 20 ~ ± 50			ppm	
输出负载 Output Load	15			PF	
输入电流 Supply Current					
	32.768KHz	70 Max	66 Max	63 Max	μ A
	1.25MHz ~ 100MHz	15 Max	10 Max	7 Max	
100MHz ~ 125MHz	25 Max	20 Max	12 Max	mA	
上升下降时间 Rise/Fall Time					
	32.768KHz	50 Max	50 Max	50 Max	nSec
	1.25MHz ~ 19.99MHz	4 Max	4 Max	5 Max	
	20MHz ~ 79.99MHz	3 Max	3 Max	4 Max	
80MHz ~ 125MHz	3 Max	3 Max	4 Max		
占空比 Duty Cycle	45 ~ 55			%	
启动时间 Start Time	2 Max			mSec	
输出水平 Out Level					
	Output Hight(Logic 1)	90%VDD Min		V	
Output Hight(Logic 0)	10%VDD Max				
三态输出 Tri-State					
	Enable (High voltage or floating)	0.7VDD Min		V	
	Disable (Low voltage or GND)	0.3VDD Max			
待机电流 Standby Current	10			μ A	
贮存温度 Storage Temperature Range	-55 ~ 125			°C	

外型尺寸 Outline Dimensions (Unit:mm)

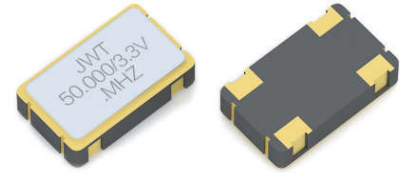


PIN	Function
#1	Tri-State
#2	GND
#3	Output
#4	VDD

特点 Features

标准的 5.0 x 3.2 x 1.2 mm 陶瓷封装表面贴装形式
 3.3V 2.5V 1.8V 工作电压
 可接受带控制端
 包装：每卷 1000PCS

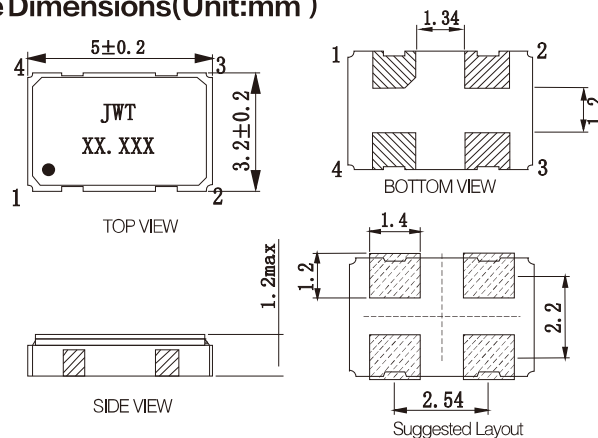
Typical 5.0 x 3.2 x 1.2 mm ceramic SMD package
 5.0V 3.3V 2.5V 1.8V Supply Voltage
 Tri-State function available
 Packing: Tape & Reel, 1000/2000/3000 pcs per Reel



标准规格 Electronic Specification

型号 type	OSC 5032			Unit	
工作电压 Supply Voltage Variation (VDD)	3.3	2.5	1.8	V	
	VDD ± 10%			V	
频率范围 Frequency Range	0.0137 ~ 160		0.0137 ~ 135	MHz	
工作温度范围 Operating Temp. Range	-20 ~ 70 / -40 ~ 85			°C	
频率稳定性 Frequency Stability	± 20 ~ ± 50			ppm	
输出负载 Output Load	15			PF	
输入电流 Supply Current				mA	
	13.7KHz ~ 93KHz	1 Max	1 Max		1 Max
	0.3125MHz ~ 39.99MHz	10 Max	8 Max		7 Max
	40MHz ~ 74.99MHz	20 Max	18 Max		15 Max
	75MHz ~ 134.99MHz	35 Max	30 Max		25 Max
135MHz ~ 160MHz	45 Max	40 Max	25 Max		
上升下降时间 Rise/Fall Time				nSec	
	13.7KHz ~ 93KHz	50 Max	50 Max		50 Max
	0.3125MHz ~ 99.99MHz	5 Max	5 Max		5 Max
100MHz ~ 160MHz	3 Max	3 Max	3 Max		
启动时间 Start Time	5 Max			nSec	
输出水平 Out Level				V	
	Output High (Logic 1)	90%VDD Min			
Output High (Logic 0)	10%VDD Max				
三态输出 Tri-State				V	
	Enable (High voltage or floating)	0.7VDD Min			
Disable (Low voltage or GND)	0.3VDD Max				
待机电流 Standby Current	10			μ A	
贮存温度 Storage Temperature Range	-55 ~ 125			°C	

外型尺寸 Outline Dimensions (Unit:mm)



PIN	Function
#1	Tri-State
#2	GND
#3	Output
#4	VDD

特点 Features

标准的7.0 x 5.0 x 1.2 mm 陶瓷封装表面贴装形式

3.3V 2.5V 1.8V工作电压

可接受带控制端

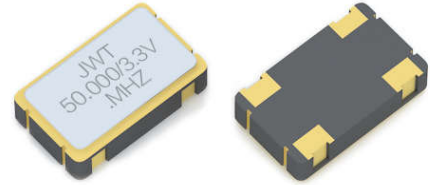
包装：每卷1000PCS

Typical 7.0 x 5.0 x 1.2 mm ceramic SMD package

5.0V 3.3V 2.5V 1.8V Supply Voltage

Tri-State function available

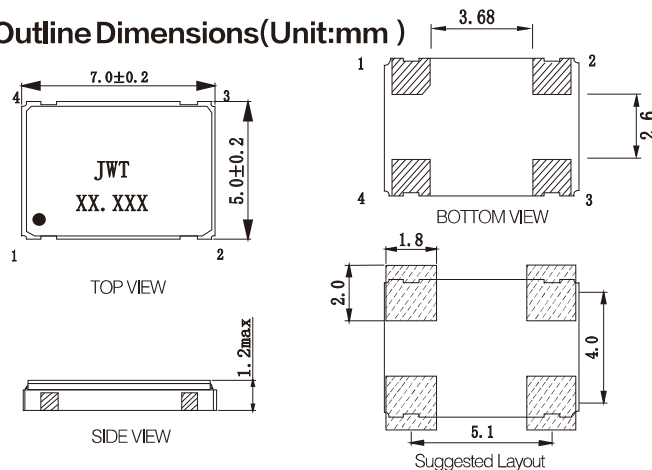
Packing: Tape & Reel, 1000/2000/3000 pcs per Reel



标准规格 Electronic Specification

型号 type	OSC 7050			Unit
工作电压 Supply Voltage Variation (VDD)	3.3	2.5	1.8	V
	VDD ± 10%			V
频率范围 Frequency Range	0.0137 ~ 160	0.0137 ~ 133	0.0137 ~ 125	MHz
工作温度范围 Operating Temp. Range	-20 ~ 70 / -40 ~ 85			°C
频率稳定性 Frequency Stability	± 20 ~ ± 50			ppm
输出负载 Output Load	15			PF
输入电流 Supply Current	13.7KHz ~ 93KHz	1 Max	1 Max	mA
	0.3125MHz ~ 39.99MHz	10 Max	8 Max	
	40MHz ~ 74.99MHz	20 Max	18 Max	
	75MHz ~ 134.99MHz	35 Max	30 Max	
	135MHz ~ 160MHz	45 Max	40 Max	
上升下降时间 Rise/Fall Time	13.7KHz ~ 93KHz	50 Max	50 Max	nSec
	0.3125MHz ~ 99.99MHz	5 Max	5 Max	
	100MHz ~ 160MHz	3 Max	3 Max	
启动时间 Start Time	5 Max			nSec
输出水平 Out Level	Output Hight (Logic 1)	90%VDD Min		V
	Output Hight (Logic 0)	10%VDD Max		
三态输出 Tri-State	Enable (High voltage or floating)	0.7VDD Min		V
	Disable (Low voltage or GND)	0.3VDD Max		
待机电流 Standby Current	10			μ A
贮存温度 Storage Temperature Range	-55 ~ 125			°C

外型尺寸 Outline Dimensions (Unit:mm)



PIN	Function
#1	Tri-State
#2	GND
#3	Output
#4	VDD